

NEW ICECRAFT
FREEZING GONDOLA



UNIQUE FEATURES
LONG-TERM AND SAFE OPERATION OF THE COOLING SYSTEM

The use of a suction pressure regulator and a liquid separator in the cooling system results in more stable operation of the cooling system and extends its service life.



INTELLIGENT DEFROSTING

The use of hot gas defrost together with a controller with an RTC module results in a very short defrost time during shop closing hours.



MAXIMUM TRANSPARENCY

Perfect product display, high transparency on 4 sides.



MAXIMUM TRANSPARENCY

PERFECT DISPLAY OF PRODUCTS

- available sizes: **1.2, 1.6, 2.0, and 2.5**
- high transparency on 4 sides
- can be combined into islands and lines
- easy to move – built-in wheels (optional)
- **environmentally friendly refrigerant R290**



COVERS

Sliding glass covers, glass with low emission surface, transparent handles



GROUPING THE DEVICES

ICECRAFT can be freely used as stand-alone modules or combined into islands or display counter lines



BUMPERS

Stainless steel bumpers (optional)

OPTIMAL CONFIGURATION

FITS ANY ROOM

SOLO



IN LINE



ROWS/BLOCKS



ISLAND



TECHNICAL DATA

ICECRAFT



Technical specifications	ICECRAFT 1.2	ICECRAFT 1.6	ICECRAFT 2.0	ICECRAFT 2.5
Code	ICC120	ICC130	ICC140	ICC150
Length [mm]	1200	1600	2000	2500
Height [mm]	920	920	920	920
Depth [mm]	1050	1050	1050	1050
Coolant	R290	R290	R290	R290
Temperature range [°C]	-24 ÷ -18	-24 ÷ -18	-24 ÷ -18	-24 ÷ -18
Storage volume [dm ³]	224	309	395	501
Display area [m ²]	0,85	1,2	1,5	1,9
Energy class				
Rated power [W]	1259	1655	1820	2097
Rated current [A]	6,2	8,1	8,9	10,2
Rated voltage [V]	230/50Hz	230/50Hz	230/50Hz	230/50Hz
Rated power of lighting [W]	45	57	72	90
Power consumption [kWh/24h]	15,5	19,8	24,3	29,8

Standard

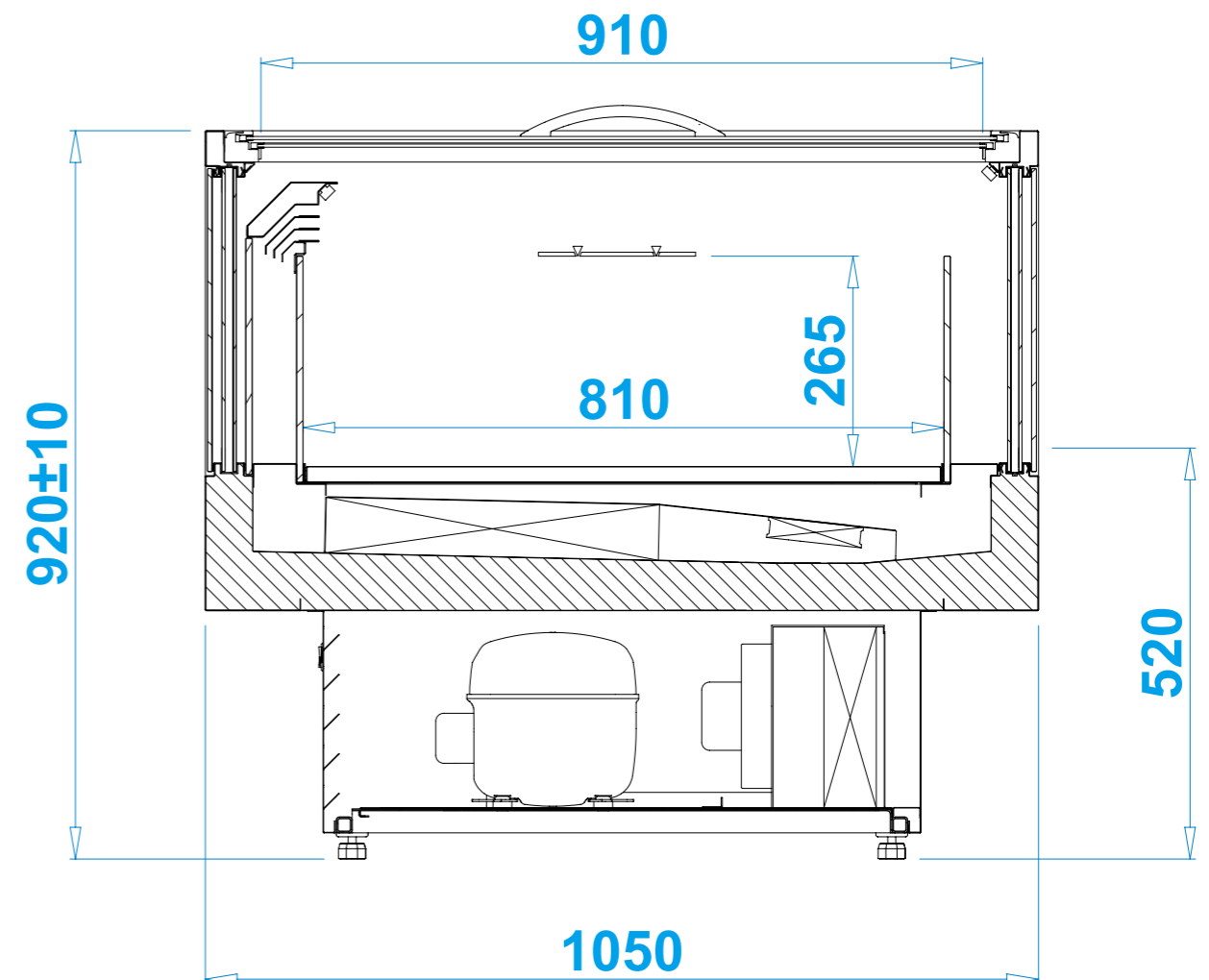
internal chiller
dynamic cooling
hot gas defrosting
automatic condensate evaporation – electric evaporator
electronic temperature controller with digital display
powder-coated display surface – choice of colour (IGLOO chart)
AC fans
LED lights – choice of colour: white, confectionery, or meat
side glazing units screen-printed in black or grey
thermometer in display space

Options

mesh partitions to keep the products in order
stainless steel bumpers
set of wheels

DRAWINGS CROSS-SECTION

ICECRAFT



ICECRAFT

FREEZING GONDOLA

Temperature range: -24 ÷ -18 °C

Chiller: Internal

Coolant: R290

The ICECRAFT freezing gondola is intended to be used in self-service shops. It provides very easy access to the products and various types of frozen food (e.g. fruit and vegetable mixes or frozen ready meals). It has a large display area, high-insulation side glazing units, and double LED strip lights. The whole structure is covered by specially constructed glass covers with transparent handles. All these features show that ICECRAFT is in line

with the latest global trends in technology and applications. The gondola has a built-in internal chiller with environmentally friendly refrigerant R 290.

It perfectly complements the VARIO 3 line of racks by matching their style. The design of ICECRAFT reflects the VARIO 3 line of racks and perfectly complements the IGLOO offer.

