

# CUBE2

CONFECTIONERY & BAKERY

GUIDE

HOW TO EQUIP YOUR CONFECTIONERY AND BAKERY

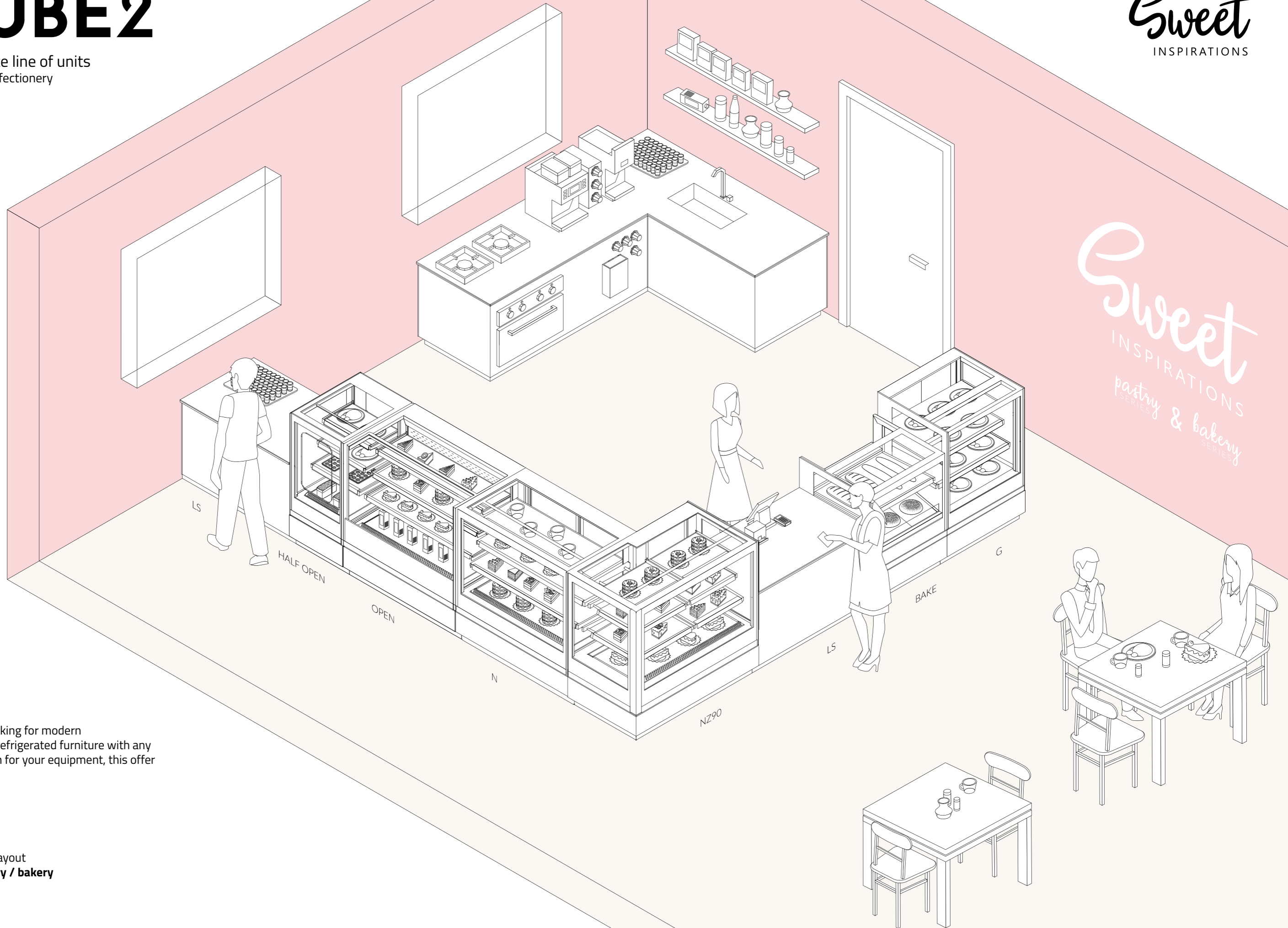


**IGLOO**  
MORE THAN COOLING

# CUBE2

a complete line of units  
for your confectionery

Sweet  
INSPIRATIONS



If you are looking for modern and reliable refrigerated furniture with any configuration for your equipment, this offer is for you.

Example of layout  
**confectionery / bakery**

# CUBE2

a complete line of units  
for your confectionery

Cube 2 is a set of confectionery and bakery display cases with the following features:

- **PERFECT** display for your products
- **LARGE GLASS** to highlight your products from every angle
- **LIGHTING** to feature the attractive appearance of your range (wide variety of colours to choose from)
- **WIDE RANGE OF UNITS** with any configurations in the sales line
- **INNOVATIVE OUTSIDE CORNER CASE** to make it possible to arrange your dream confectionery in small size rooms

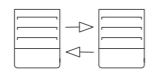


46 TYPES / OPTIONS  
of units in 2 heights

CONSISTENT ARRANGEMENT  
in the entire shop

COMPREHENSIVE EQUIPMENT  
for confectionery and bakery

## AVAILABLE OPTIONS



FLEXIBLE  
INSTALLATION



PLUG-IN



REMOTE



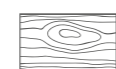
HOT



ECO R290



CUSTOM



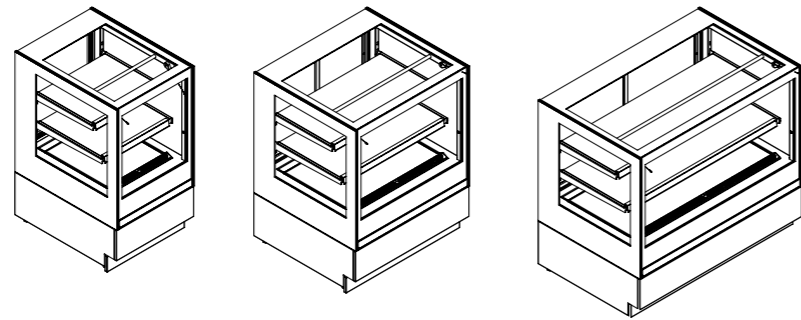
DRE



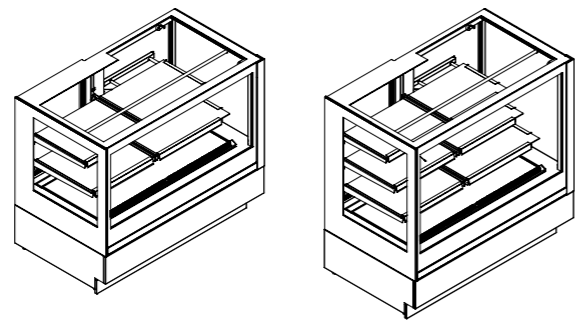
HALF OPEN

# CONTENTS

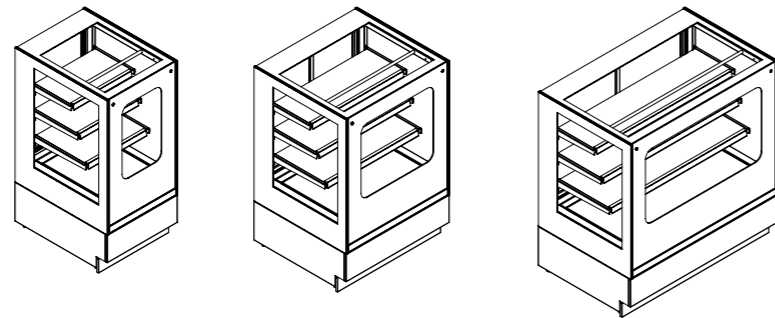
**CUBE 2** p. 9  
REFRIGERATED DISPLAY CASE



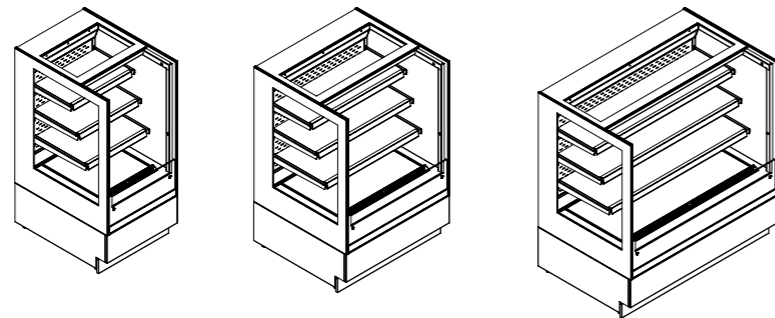
**NZ90** p. 10  
OUTSIDE CORNER CASE



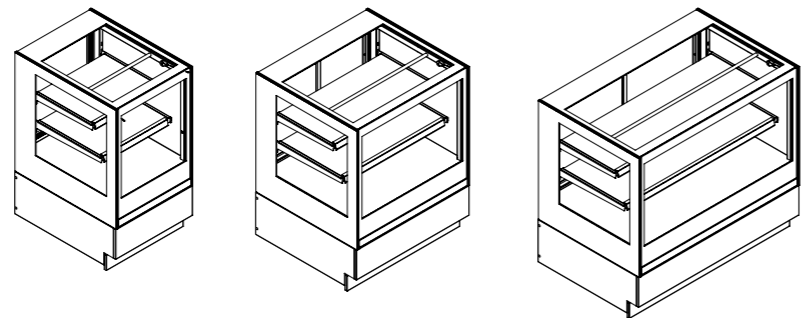
**HALF OPEN** p. 14  
HALF-OPEN CASE



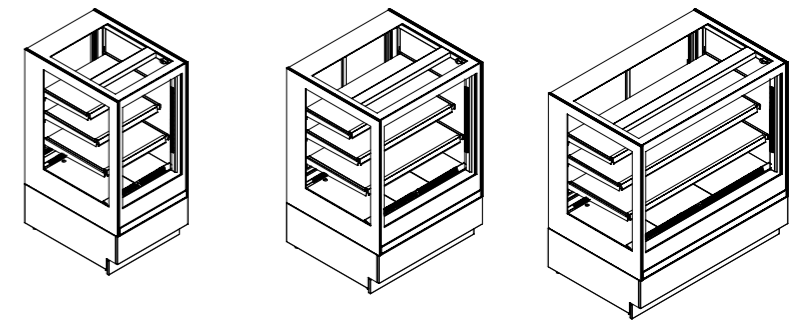
**OPEN** p. 17  
SELF-SERVICE CASE



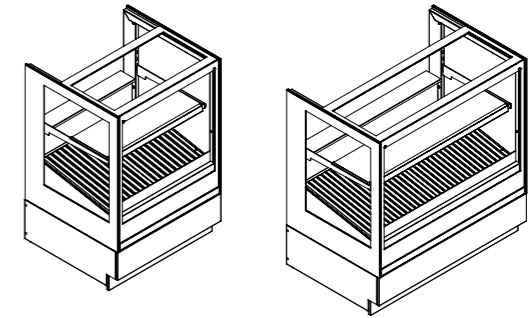
**N** p. 18  
NEUTRAL DISPLAY CASE



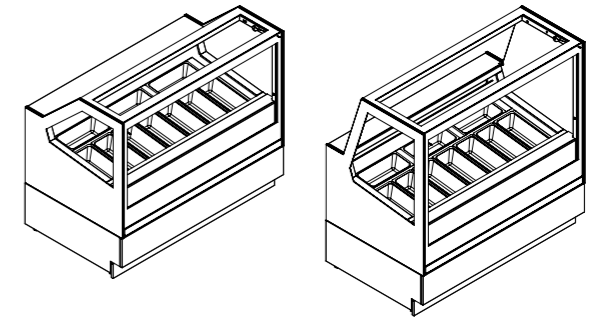
**G** p. 21  
DISPLAY WARMER



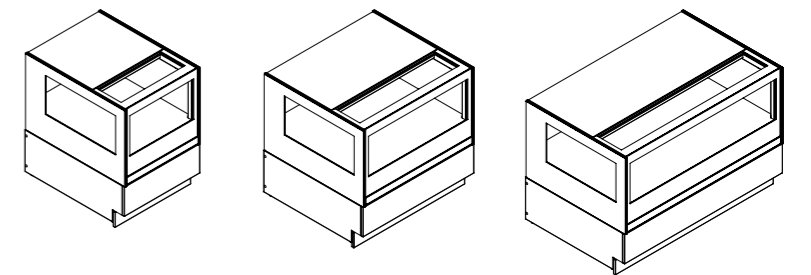
**BAKE** p. 22  
CASE FOR BREADS  
AND DRY GOODS



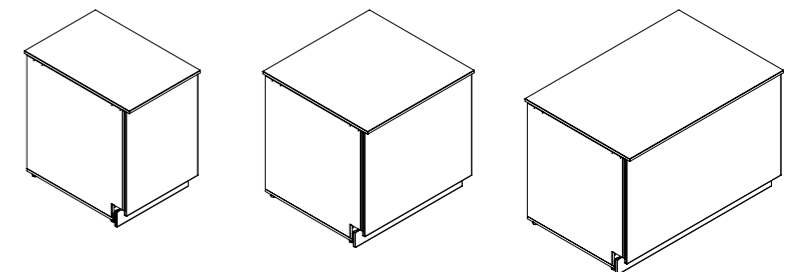
**ICE** p. 25  
ICE CREAM DISPLAY CASE



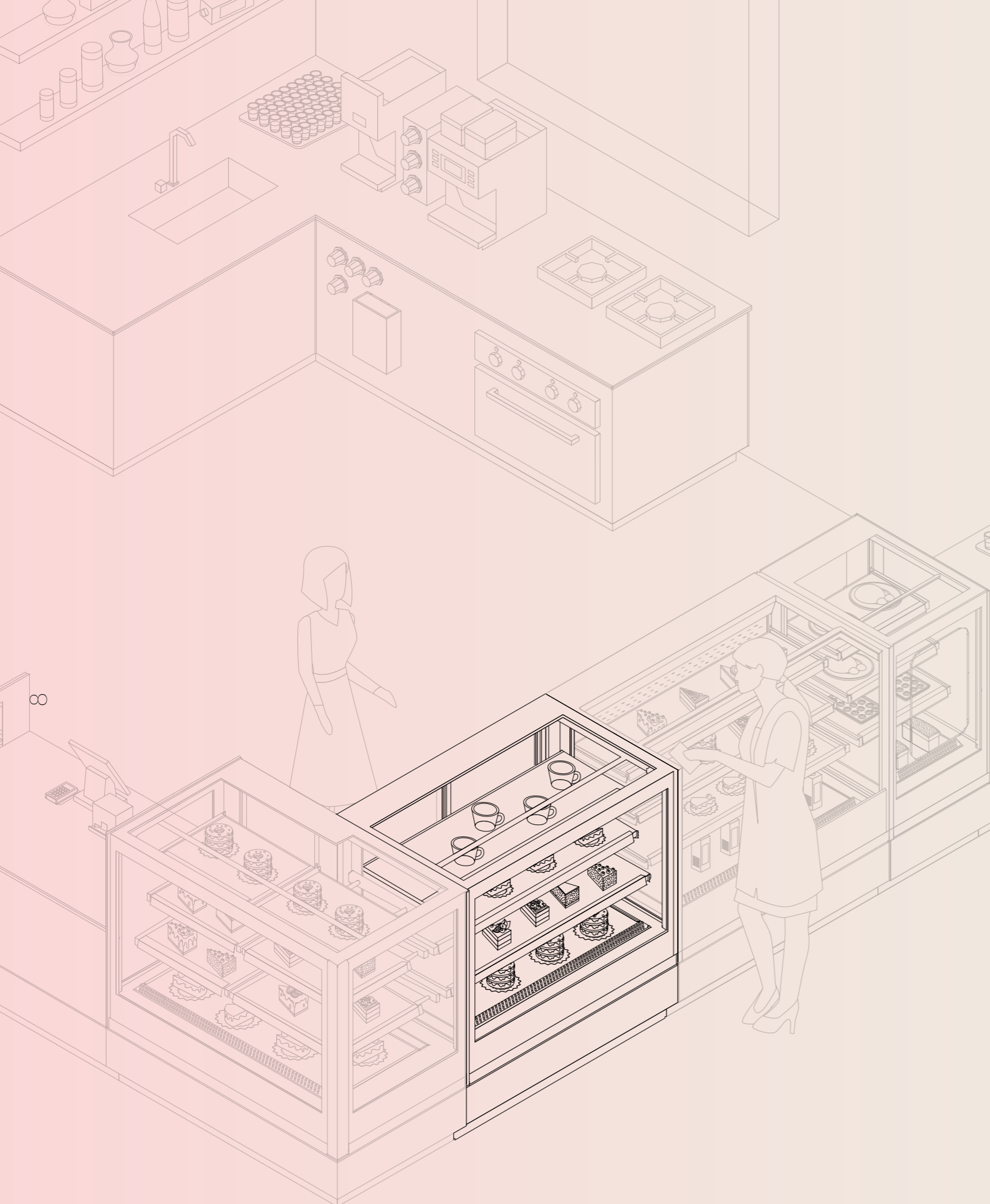
**LS** p. 26  
COUNTER  
- NEUTRAL GLASS DISPLAY CASE



**LS-P** p. 29  
COUNTER  
- NEUTRAL BUILT-IN DISPLAY CASE



TECHNICAL DRAWINGS p. 30



# CUBE 2

REFRIGERATED DISPLAY CASE

# CUBE 2



**TEMPERATURE**  
+2 / +15°C



**HEIGHTS**  
1.2 (2P) | 1.4 (3P)

**LENGTHS**  
0.64 | 0.94 | 1.34 [m]



**ERGONOMIC**  
SPACE

**RELIABILITY**  
OF USE

**UNIVERSAL**  
**APPLICATION**  
CAKES / CREAM PUFFS



OUTSIDE CORNER CASE

# CUBE 2 NZ90

(MODULE 1)



**TEMPERATURE**  
+2 / +15°C



**HEIGHTS**  
1.2 (2P) | 1.4 (3P)

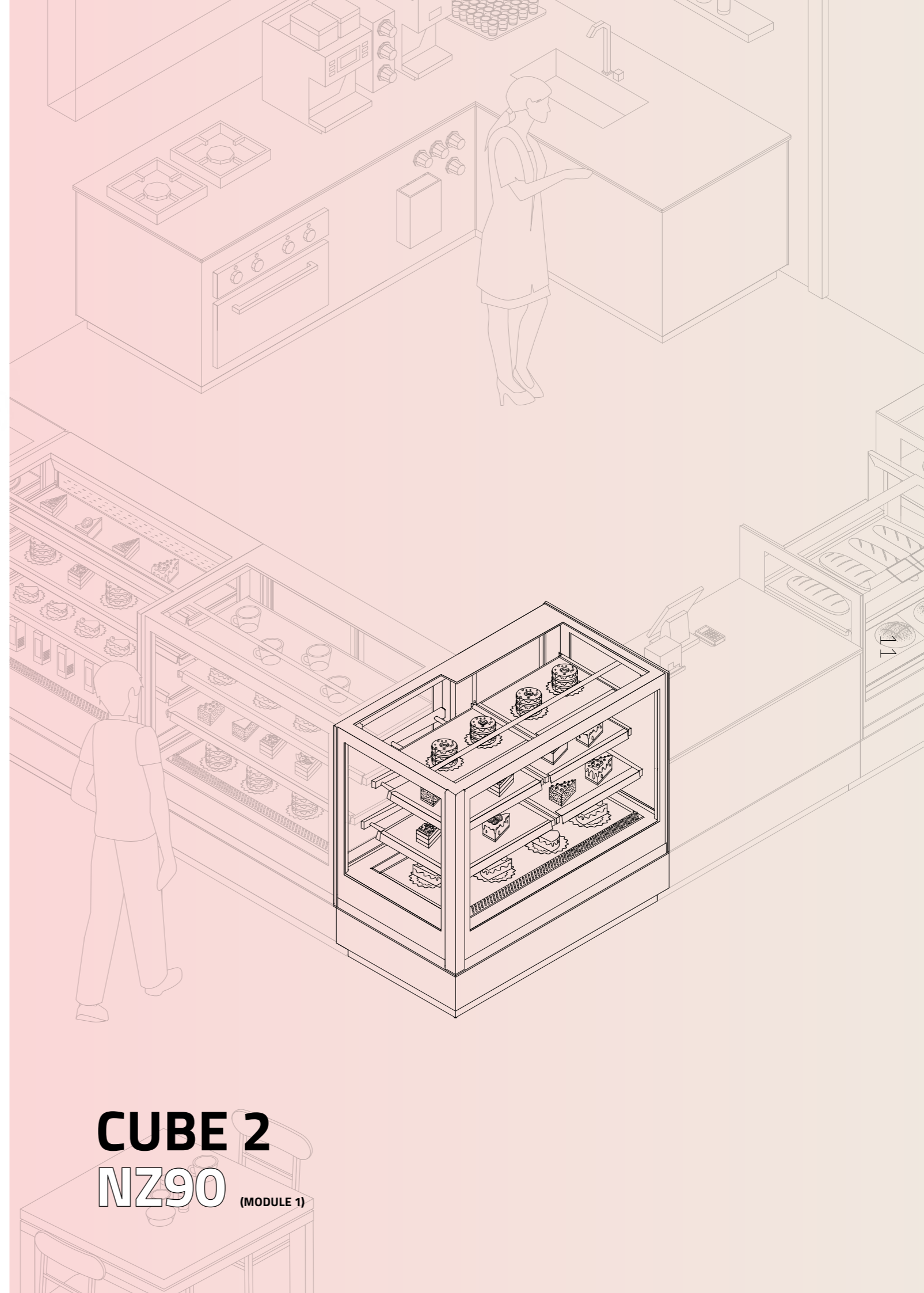
**LENGTHS**  
1.47 [m]



**4 DISPLAY  
SPACES**

**HIGH  
PRODUCT VISIBILITY**

**PERFECT FOR  
CAKES / TORTES / CUPCAKES**



# CUBE 2 NZ90

(MODULE 1)

# UNIQUE CORNER CASE

A unique multi-purpose corner from the CUBE 2 line to save space with no reduction in your display of goods.



**CUBE 2**  
(MODULE 2)

## DOUBLE GLAZING

Double glazing effectively protects the products, even on hot days.  
**Constant temperature at the per-set level during operation.**

## PERFECTLY FITS IN THE ENTIRE LINE

All CUBE 2 line units are available in **2 heights** and several widths, and are designed to be easily combined in various configurations.  
**The corner fits the entire CUBE 2 family.**

## SPACE SAVING

The main advantage of the unique CUBE 2 corner is that it perfectly matches any kind of commercial space with folding modules of different sizes. With CUBE 2 corner, you save space and gain comfort of use.

**CUBE 2**  
**NZ90**  
(MODULE 1)



**CUBE 2**  
(MODULE 2)

**CUBE 2**  
**NZ90**  
(MODULE 1)

REFRIGERATED DISPLAY CASE

# CUBE 2 HALF OPEN



**TEMPERATURE**  
+2 / +15°C



**HEIGHTS**  
1.2 (2P) | 1.4 (3P)

**LENGTHS**  
0.64 | 0.94 | 1.34 [m]



**GOODS ARE  
FULLY AVAILABLE  
TO CUSTOMERS**

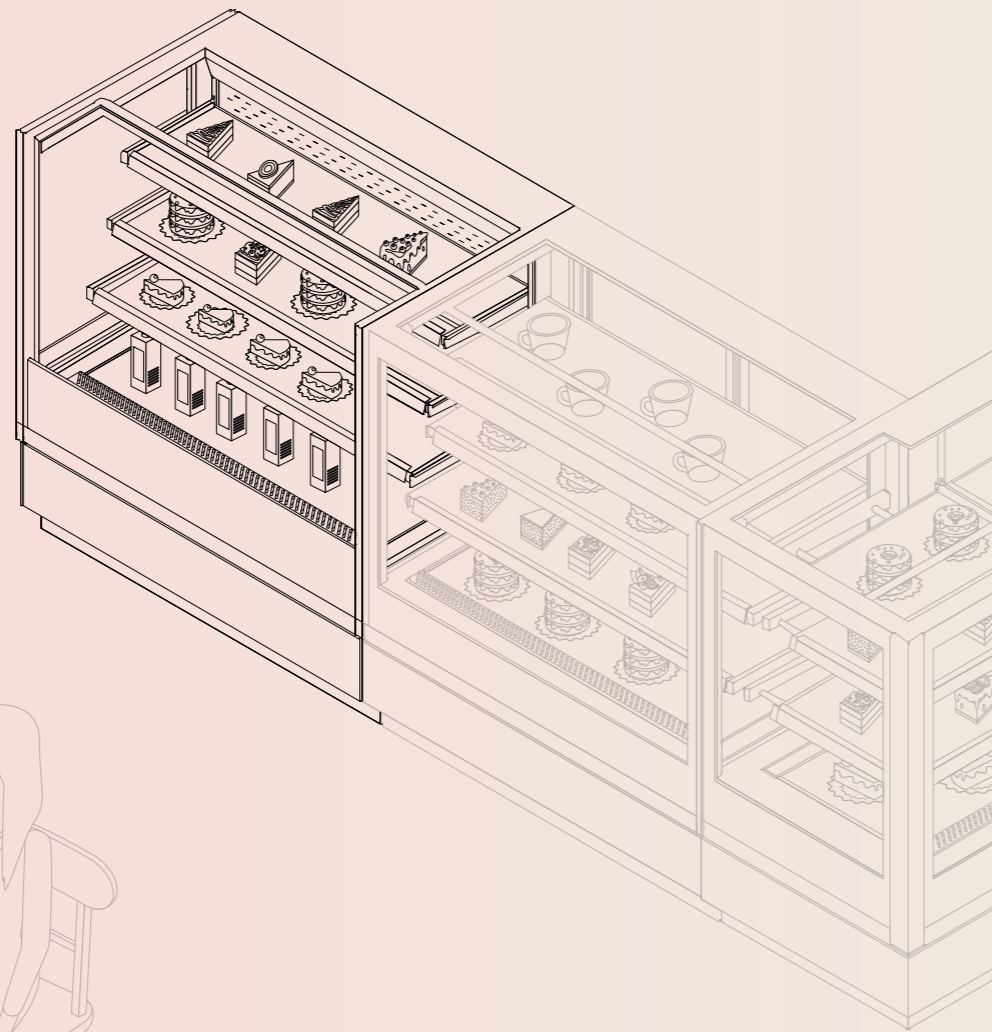
**VERY EASY  
TO KEEP CLEAN**

**CONVENIENT  
SELF-SERVICE**

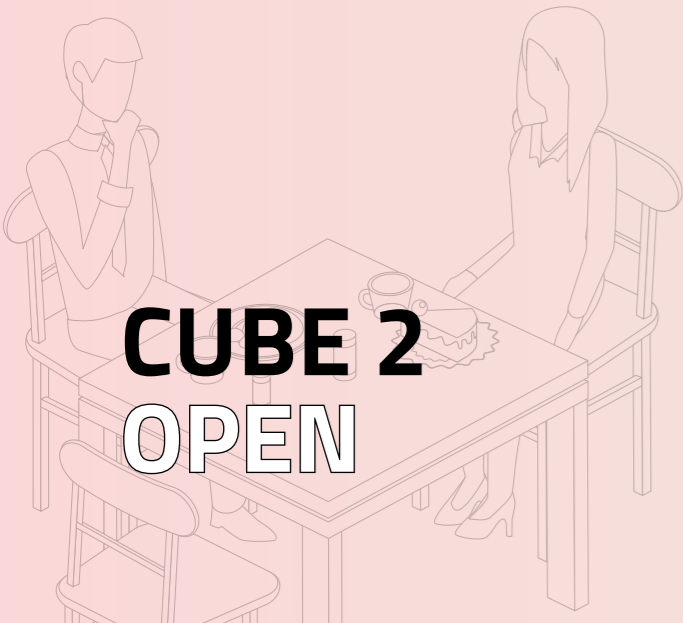


# CUBE 2 HALF OPEN





# CUBE 2 OPEN



SELF-SERVICE CASE

# CUBE 2 OPEN



**TEMPERATURE**  
+5 / +15°C



**HEIGHTS**  
1.2 (2P) | 1.4 (3P)

**LENGTHS**  
0.64 | 0.94 | 1.34 [m]



**MORE  
DISPLAY  
SPACE**

**MODERN  
DESIGN**

**FULL  
SELF-SERVICE**



NEUTRAL DISPLAY CASE

# CUBE 2

## N



### HEIGHTS

1.2 (2P) | 1.4 (3P)

### LENGTHS

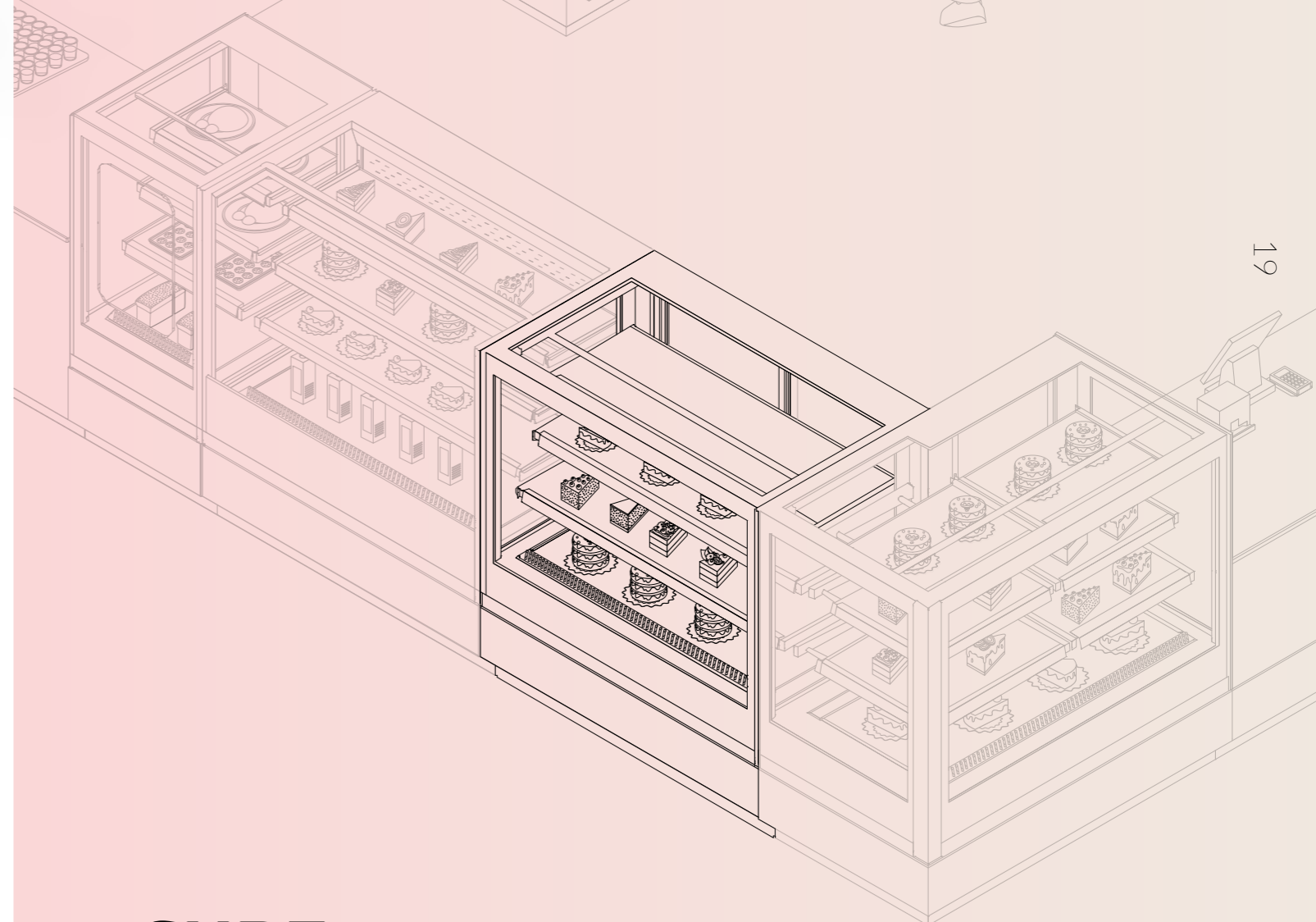
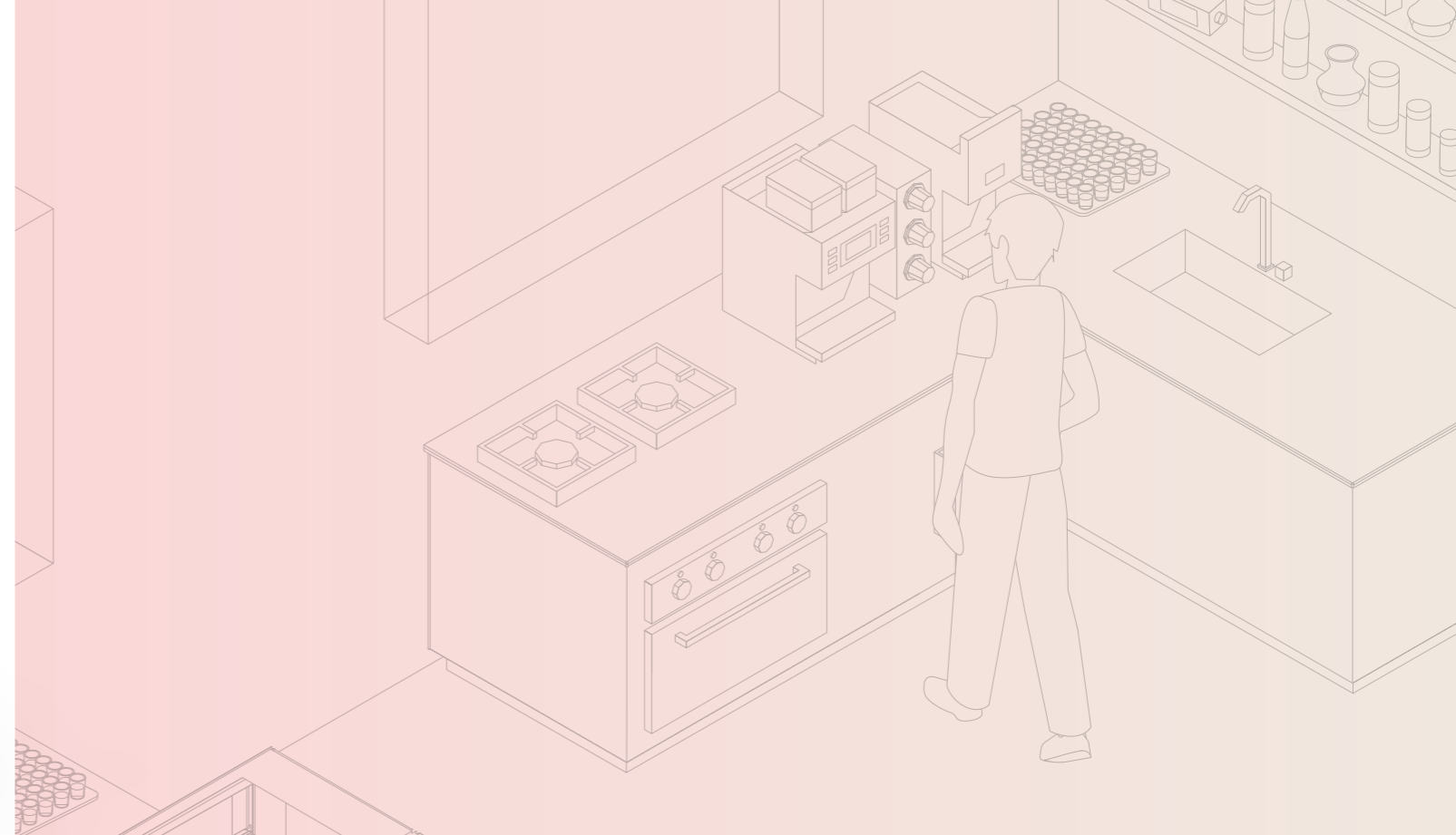
0.64 | 0.94 | 1.34 [m]



**FLEXIBLE  
DISPLAY**  
OF GOODS

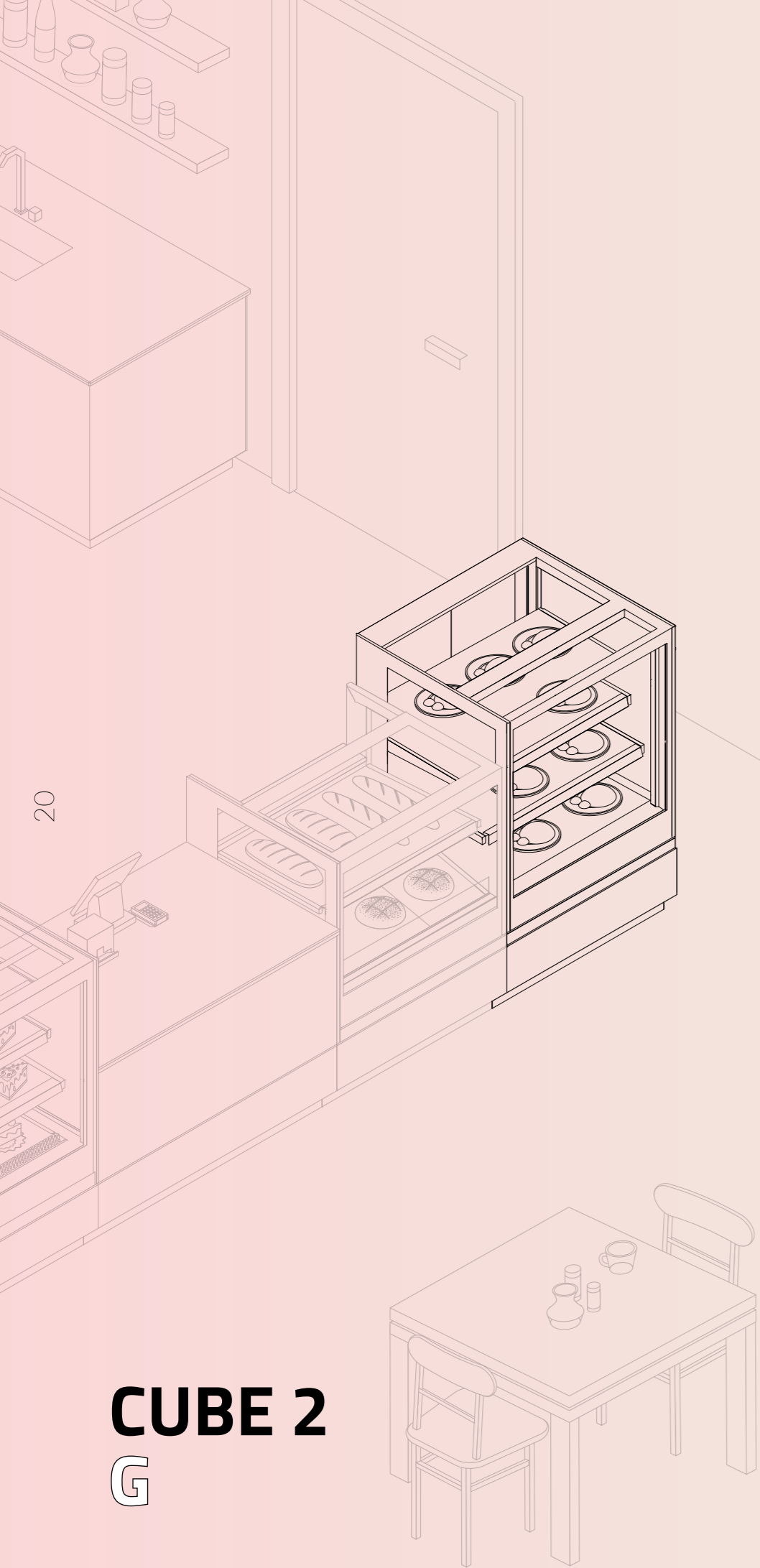
**PERFECTLY  
COMPLEMENTS**  
THE ENTIRE CUBE 2 LINE

**EASY  
TO USE**



# CUBE 2

## N



# CUBE 2 G

DISPLAY WARMER

# CUBE 2

# G



**TEMPERATURE**

+30 / +60 °C



**HEIGHTS**

1.2 (2P) | 1.4 (3P)

**LENGTHS**

0.64 | 0.94 | 1.34 [m]



**CAN BE  
COMBINED WITH  
REFRIGERATED DISPLAY CASES**

**CONTROLLED  
HEATING**

**BAKED  
AT THE PERFECT TEMPERATURE**



NEUTRAL DISPLAY CASE

# CUBE 2 BAKE

FOR BREADS AND DRY GOODS



## HEIGHTS

1.2 | 1.4

## LENGTHS

0.64 | 0.94 | 1.34 [m]



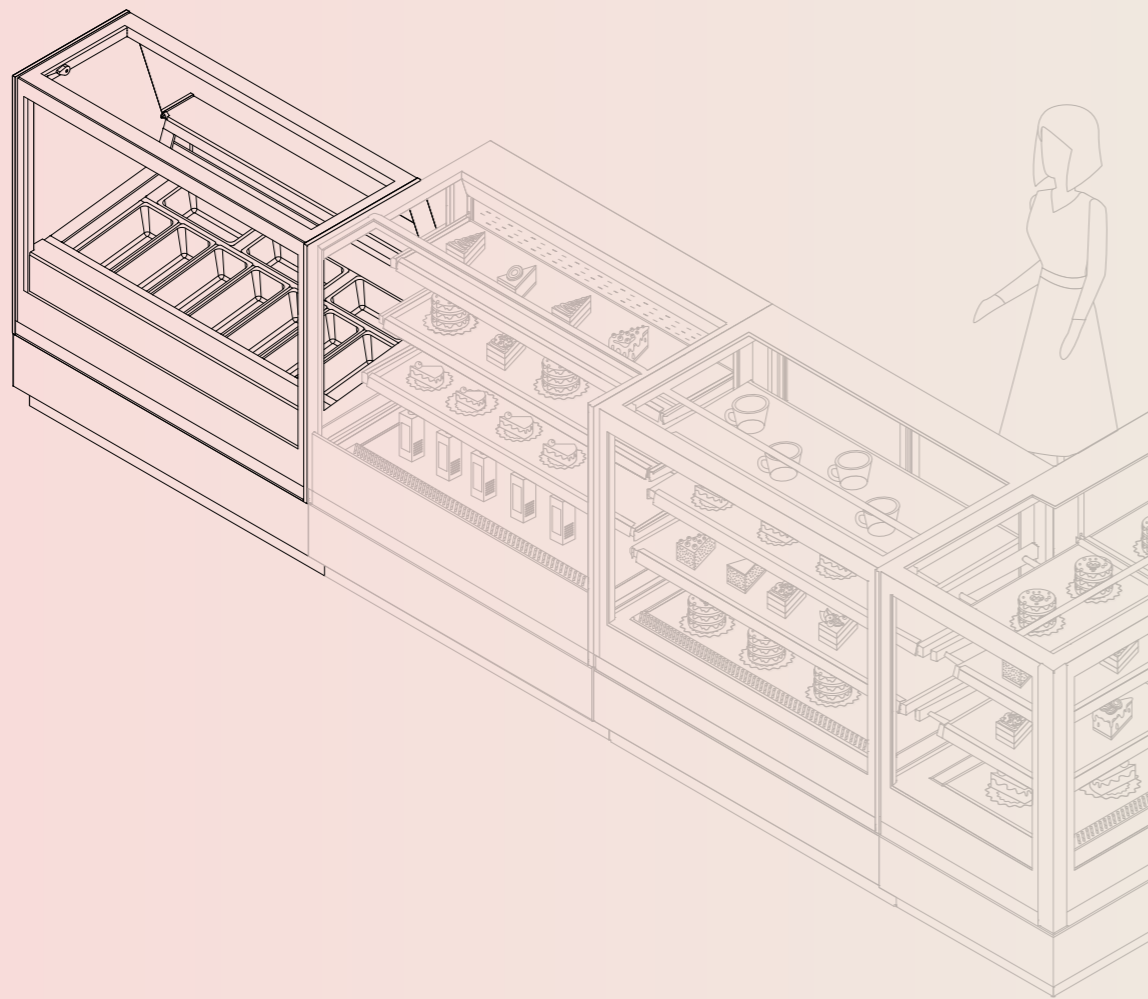
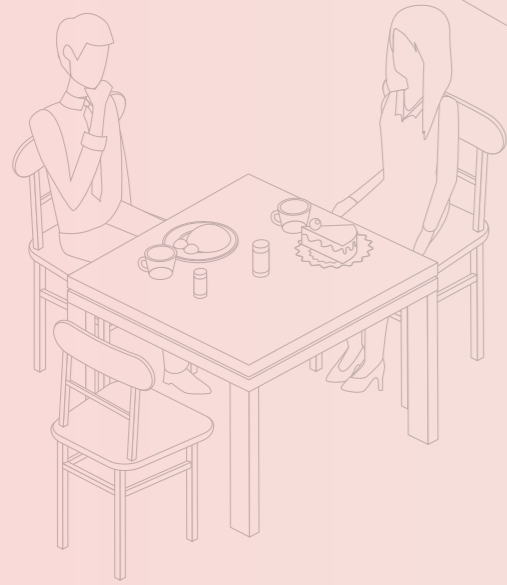
CRUMB  
TRAY

PERFECT  
DISPLAY  
OF BAKED GOODS

LARGE  
GLASS



# CUBE 2 BAKE



# CUBE 2 ICE

DISPLAY REFRIGERATOR

# CUBE 2

# ICE

Available tastes / containers /  
/ 10, 14, 18 /

More units are available at [www.igloo.pl](http://www.igloo.pl)



### TEMPERATURE

-20 / -10°C



### HEIGHTS

1.2 (2P) | 1.4 (3P)

### LENGTHS

1.4 | 1.75 [m]



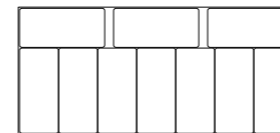
**GUARANTEED**  
TEMPERATURE

**PERFECT**  
ICE CREAM  
DISPLAY

**WIDE RANGE OF**  
UNITS



**CUBE 2 ICE / 10 tastes /**



standard ice-cream tubs  
360 x 165 mm



big ice-cream tubs  
360 x 250 mm

COUNTER / NEUTRAL DISPLAY CASE

# CUBE 2 LS



### HEIGHTS

0.9

### LENGTHS

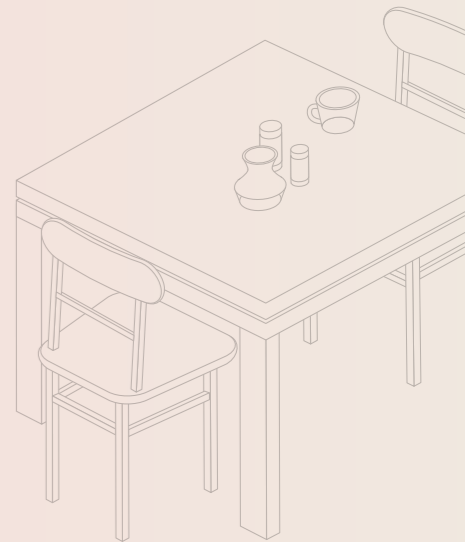
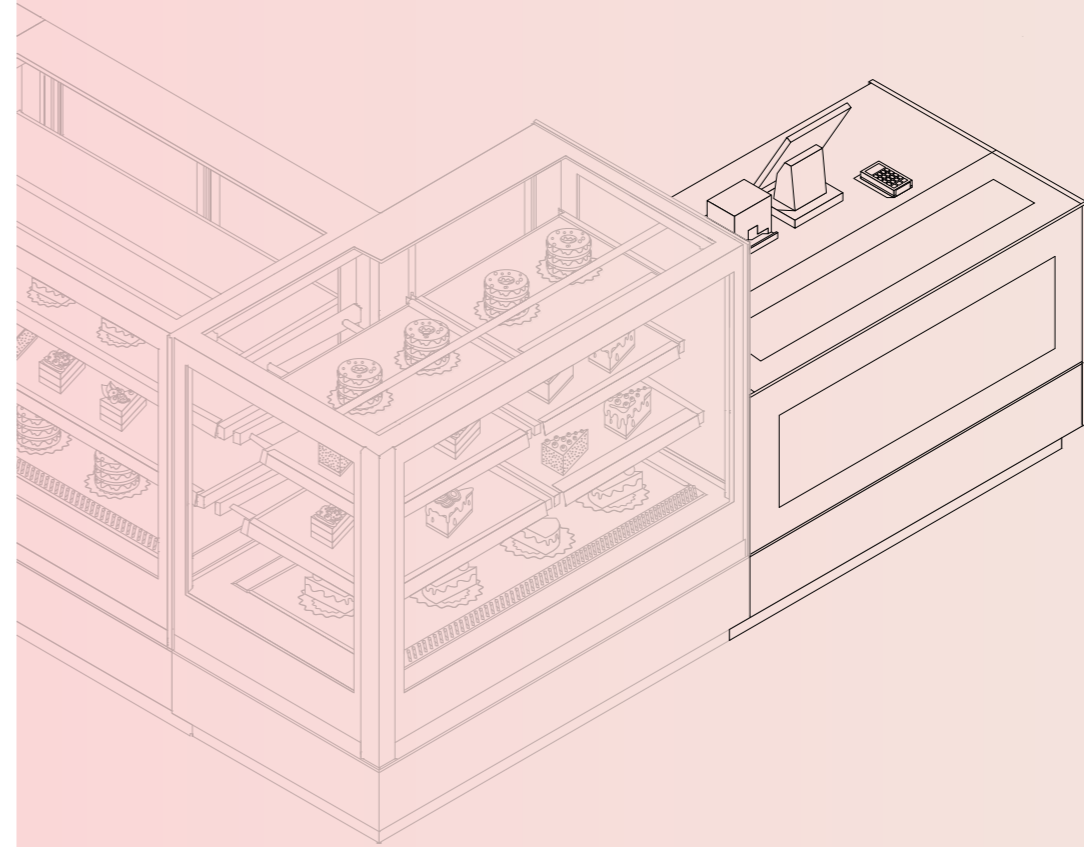
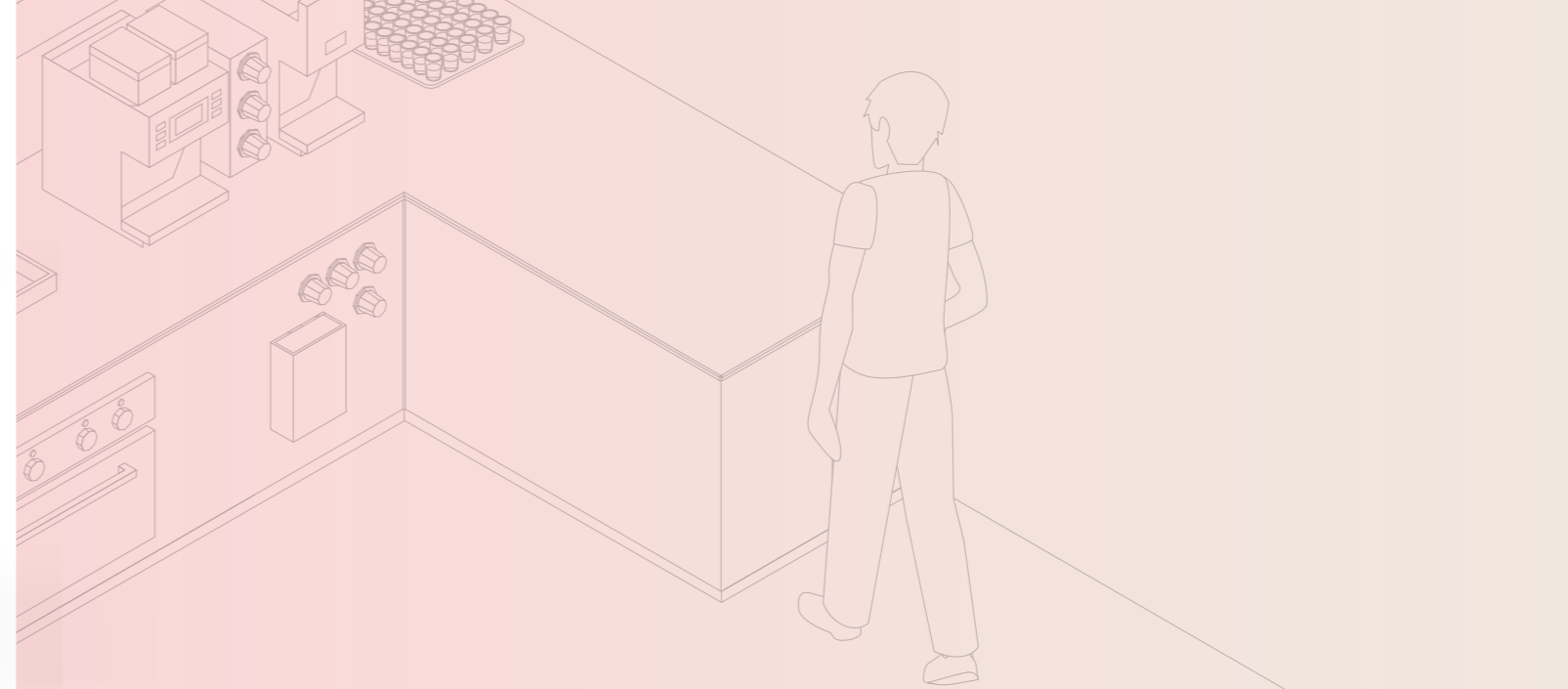
0.64 | 0.94 | 1.34 [m]



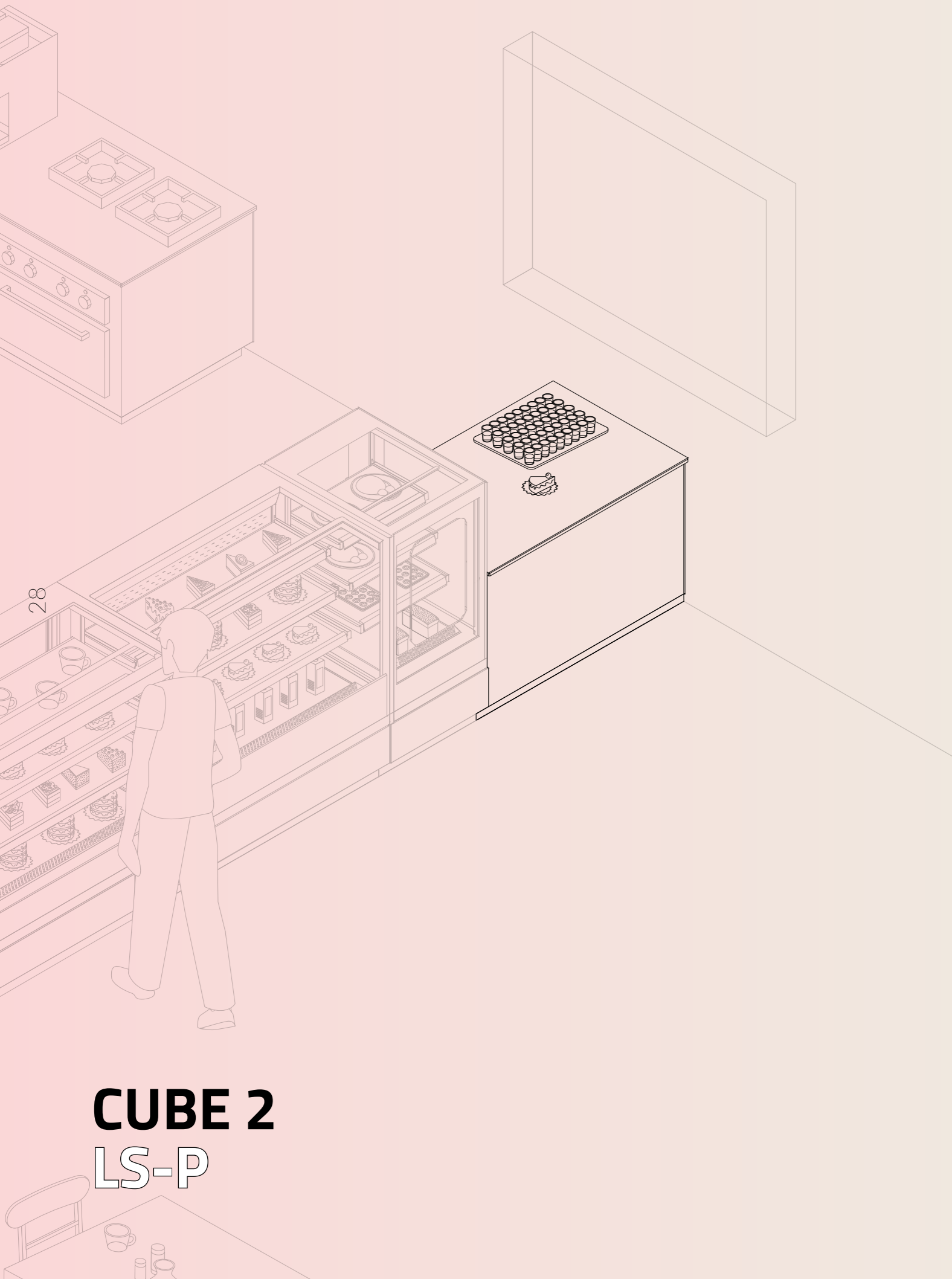
GOODS  
DISPLAY  
AND SERVICE (2 in 1)  
/ GLASS /

UNUSUAL  
SOLUTIONS  
MAKING WORK EASIER

WIDE RANGE OF  
COLOURS



# CUBE 2 LS



28

# CUBE 2 LS-P

COUNTER / NEUTRAL DISPLAY CASE

# CUBE 2 LS-P



**HEIGHTS**

0.9

**LENGTHS**

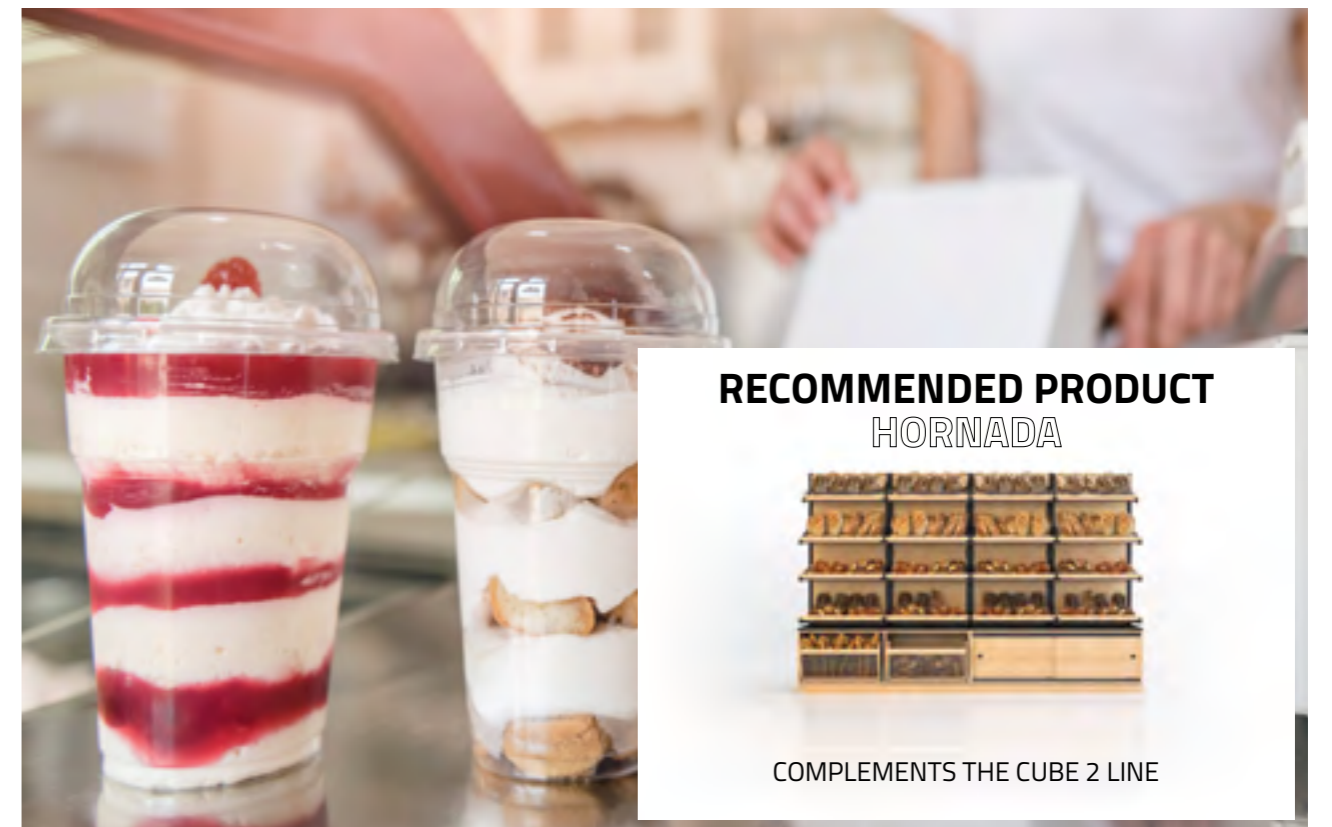
0.64 | 0.94 | 1.34 [m]



**ERGONOMIC**  
USE OF  
CUSTOMER AREA

**FULLY  
BUILT-IN**  
/ FRONT AND SIDES /

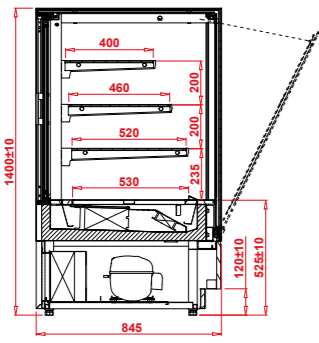
**A NUMBER**  
OF ADDITIONAL OPTIONS



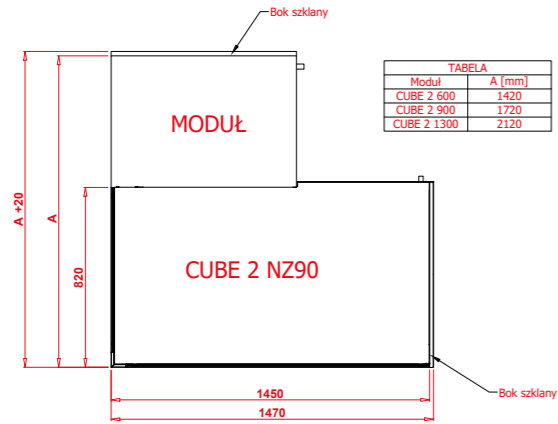
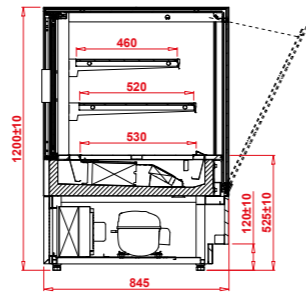
**RECOMMENDED PRODUCT**  
HORNADA



COMPLEMENTS THE CUBE 2 LINE

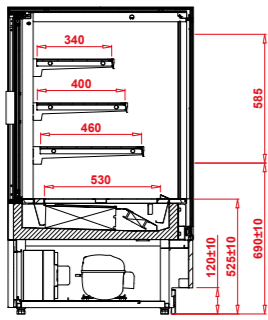


CUBE 2

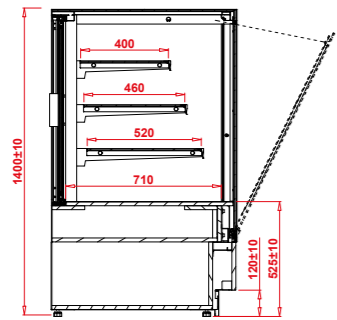
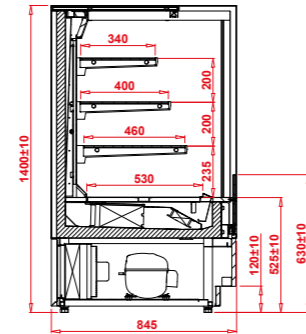


CUBE 2 NZ90

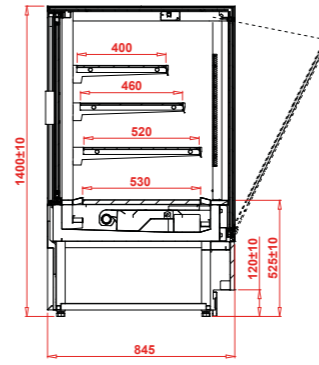
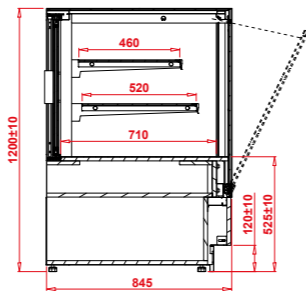
CUBE 2 HALF OPEN



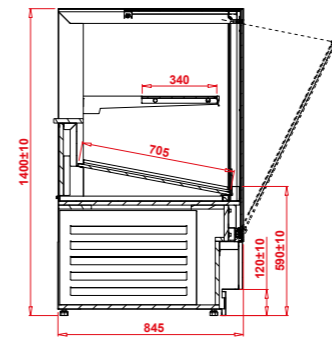
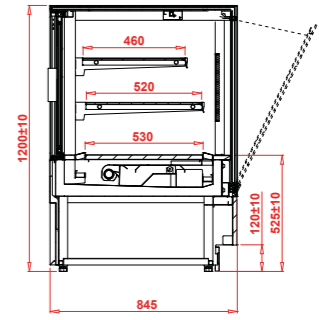
CUBE 2 OPEN



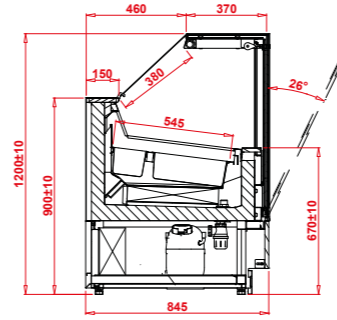
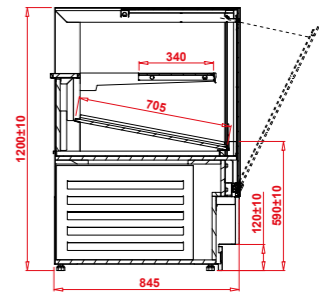
CUBE 2 N



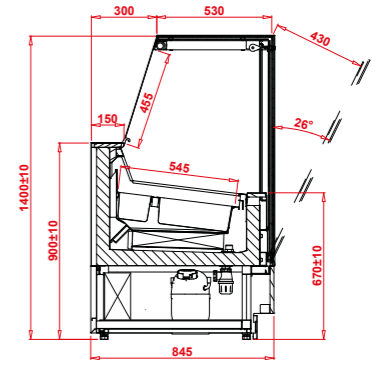
CUBE 2 G



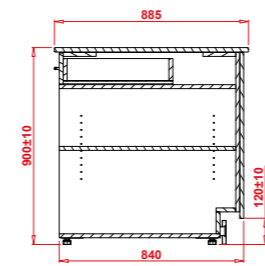
CUBE 2 BAKE



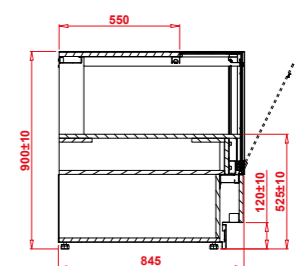
CUBE 2 ICE



CUBE 2 LS-P



CUBE 2 LS





# ADVANTAGES OF THE CUBE 2 LINE

- **COMPREHENSIVE EQUIPMENT FOR CONFECTIONERY or BAKERY**
- **UNIQUE SOLUTIONS**
  - 46 DIFFERENT UNIT TYPES AND OPTIONS
  - UNCONVENTIONAL MODULAR CORNER
  - DOUBLE GLAZING
  - 2 DIFFERENT HEIGHTS + UP TO 5 DIFFERENT WIDTHS
- **CONSISTENT ARRANGEMENT IN THE ENTIRE SHOP**  
/ confectionery or bakery /
- **DESIGN MATCHED TO ANY TYPE OF SHOP DÉCOR**  
/ wide range of colours /
- **EXPERT ADVICE AND PROFESSIONAL SERVICE**

